



## BATBOX BATTERY COLLECTION BOXES

Battery-shaped collection boxes inspire people to think green and be environmentally friendly

The own product range of OÜ Weldmet Solution consists of furniture for public spaces. This includes ashtrays and rubbish bins, sorting bins, benches, tables and bicycle holders for indoor and outdoor use.

Our products are durable, modern and fit well with the surroundings; in addition to looking nice, they are also customer-friendly and easily maintained.

In cooperation with our customers, we are constantly creating new products and improving the existing ones. We believe that the best feedback can only come from users.

Our primary customers are homeowners, apartment associations, companies, cities and rural municipalities.

### **BATBOX 10 and 20**

The cylindrical shape and +/- marking of the BATBOX battery collection boxes is reminiscent of small batteries, while the boxes are capacious, very durable, and suitable for both indoor and outdoor use.

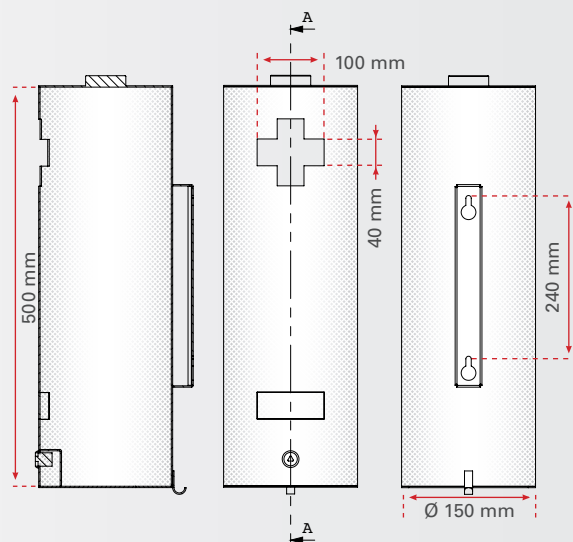
BATBOX collection boxes are made from painted common carbon steel in two different sizes – 10 L and 20 L. Standard colour code is red RAL 3000, other RAL codes can also be ordered. Ask for more information.

BATBOX collection boxes are mounted directly on the wall or on a base. If necessary, we can also produce customised fastenings.

For maintenance, we recommend greasing the lock and the hinges once or twice a year.

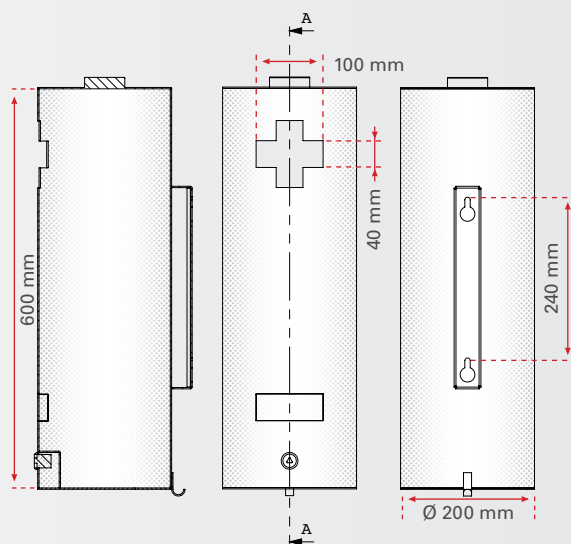
## BATBOX 10

- + Measurements  $\varnothing$  150 x 500 mm
- + Capacity approx. 10 L
- + Material S235
- + Material thickness 1.5 mm
- + Standard colour RAL 3000
- + Lock with triangle key
- + Emptied from the bottom
- + A hook for filling in the emptying bag
- + Mounted on walls or on a base



## BATBOX 20

- + Measurements  $\varnothing$  200 x 600 mm
- + Capacity approx. 20 L
- + Material S235
- + Material thickness 1.5 mm
- + Standard colour RAL 3000
- + Lock with triangle key
- + Emptied from the bottom
- + A hook for filling in the emptying bag
- + Mounted on walls or on a base



WELDMET SOLUTION OÜ



METAL FOR INDUSTRY & DESIGN

Aiandi tee 19 b, Viimsi vald  
EE 74001 Harjumaa  
Estonia

Phone: +372 666 0656  
Fax: +372 677 7573

info@weldmets.com  
www.weldmets.com